

#### General Description

This cell is a relaxation oscillator with a external capacitor to select the frequency. There is a special handling included which makes sure that the pulse width during power on/off will not been cut.

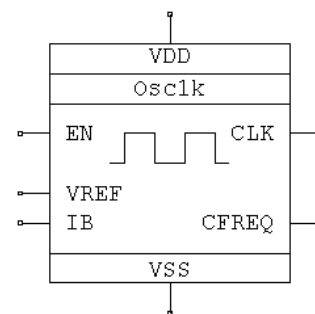
#### Ratings, Parameters and Conditions

Absolute Maximum Ratings						
Parameter / Condition	Symbol	Min	Typ	Max	Unit	Comment
Operating Temperature	T <sub>OP</sub>	-40		120	°C	
Supply Voltage	V <sub>DD</sub>	-0.3		5.5	V	
Input Voltage	V <sub>IN</sub>	-0.3		V <sub>DD</sub> +0.7	V	
Output Voltage	V <sub>OUT</sub>	-0.3		V <sub>DD</sub> +0.7	V	

Electrical Parameters						
Parameter / Condition	Symbol	Min	Typ	Max	Unit	Comment
Operating Temperature	T <sub>OP</sub>	0		80	°C	
Supply Voltage	V <sub>DD</sub>	3.0	3.5	4.5	V	
Current Consumption	I <sub>DD</sub>	50		60	µA	
Standby Current	I <sub>SB</sub>				1n	
Frequency	F <sub>CLK</sub>	1.0		1.2	kHz	1nF CFreq
Frequency Range	F	0		200	kHz	set with external C

#### Interface and Symbol

IO-Description			
Interface	I/O	Function	Comment
EN	Input	Enable	
IB	Input	Bias current input	
VREF	Input	Reference voltage input	
CFREQ	Output	External capacitor	
CLK	Output	Clock output	
VDD, VSS	Power	supply voltage	



#### Layout Size

750 µm x 250 µm = 0.19 mm<sup>2</sup>